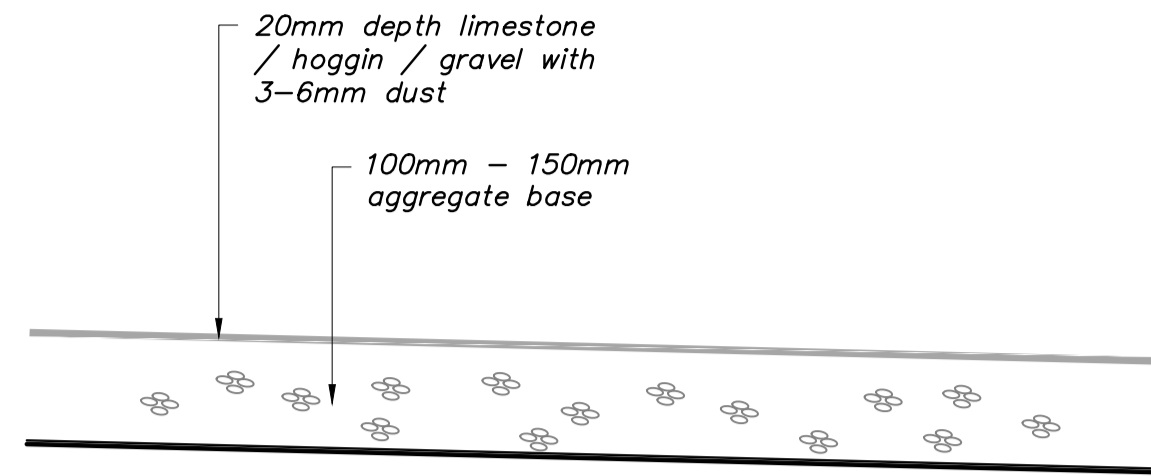
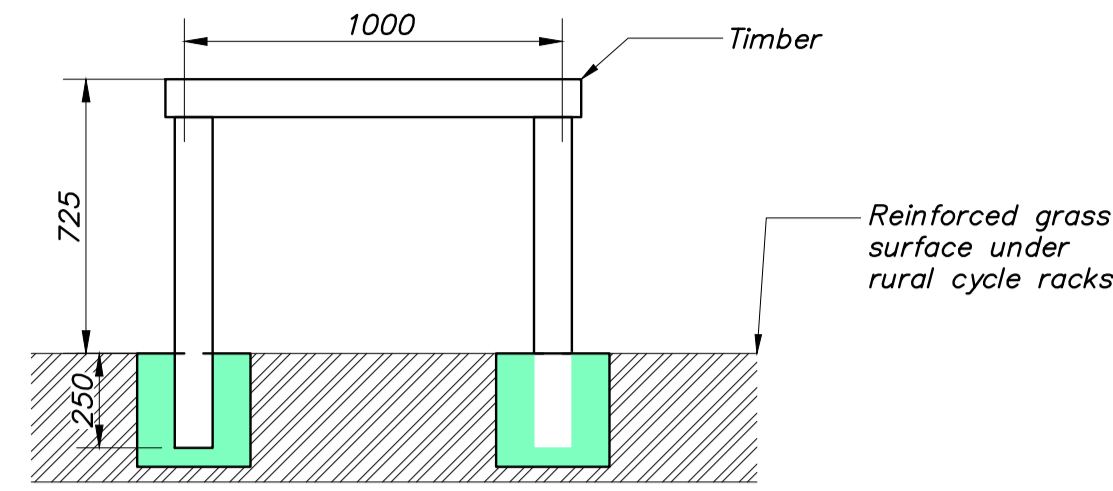


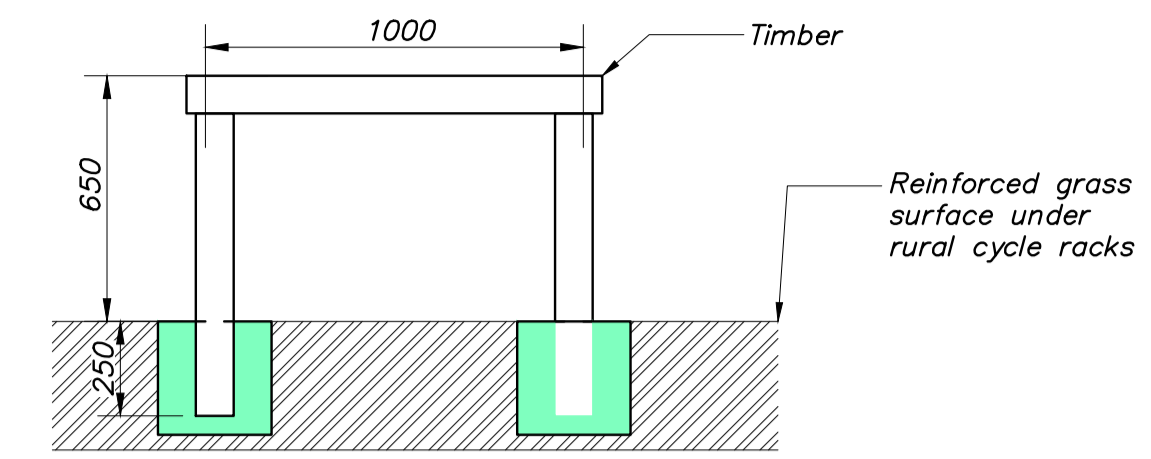
**Typical Asphalt Greenway Construction Details**  
Scale 1:20



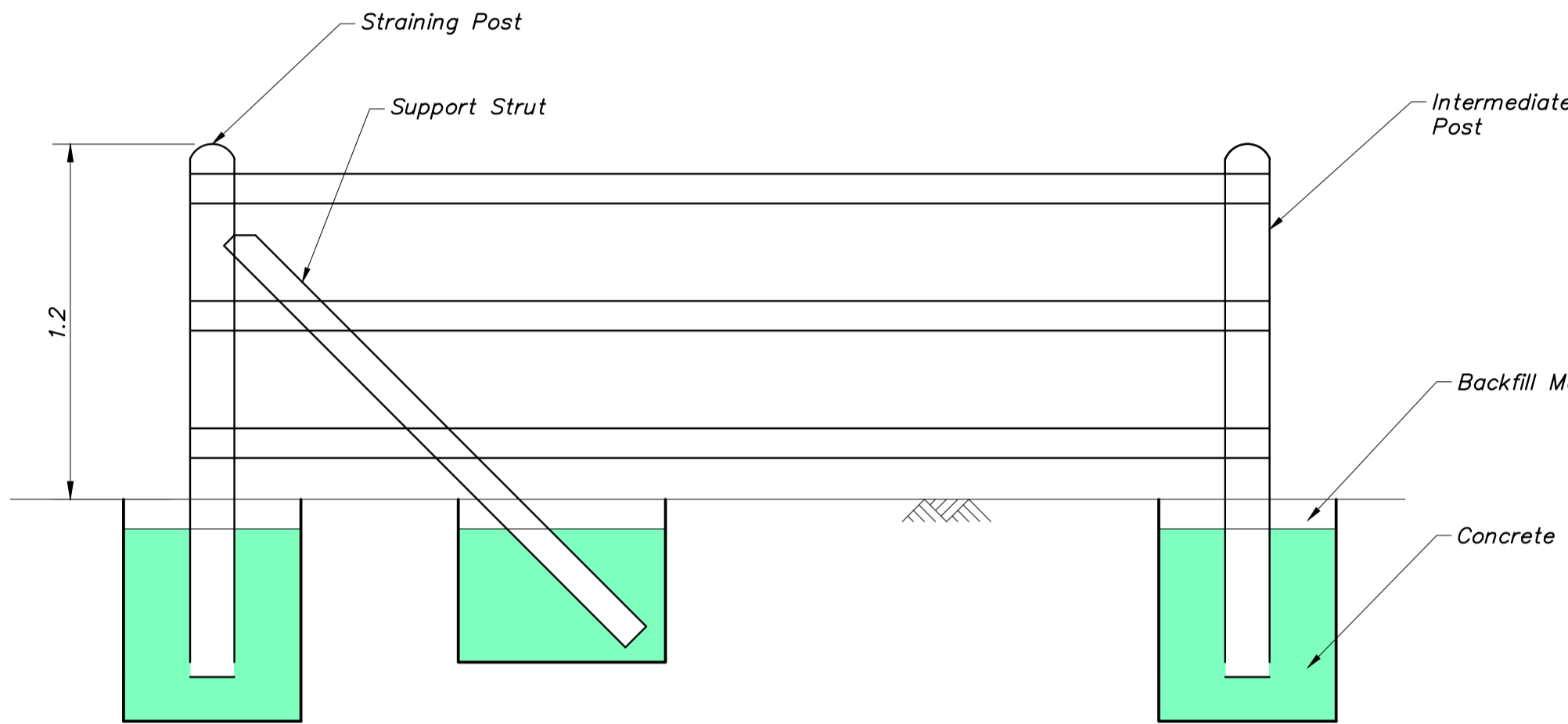
**Typical Unbound Blinded Granular Greenway Construction Details**  
Scale 1:20



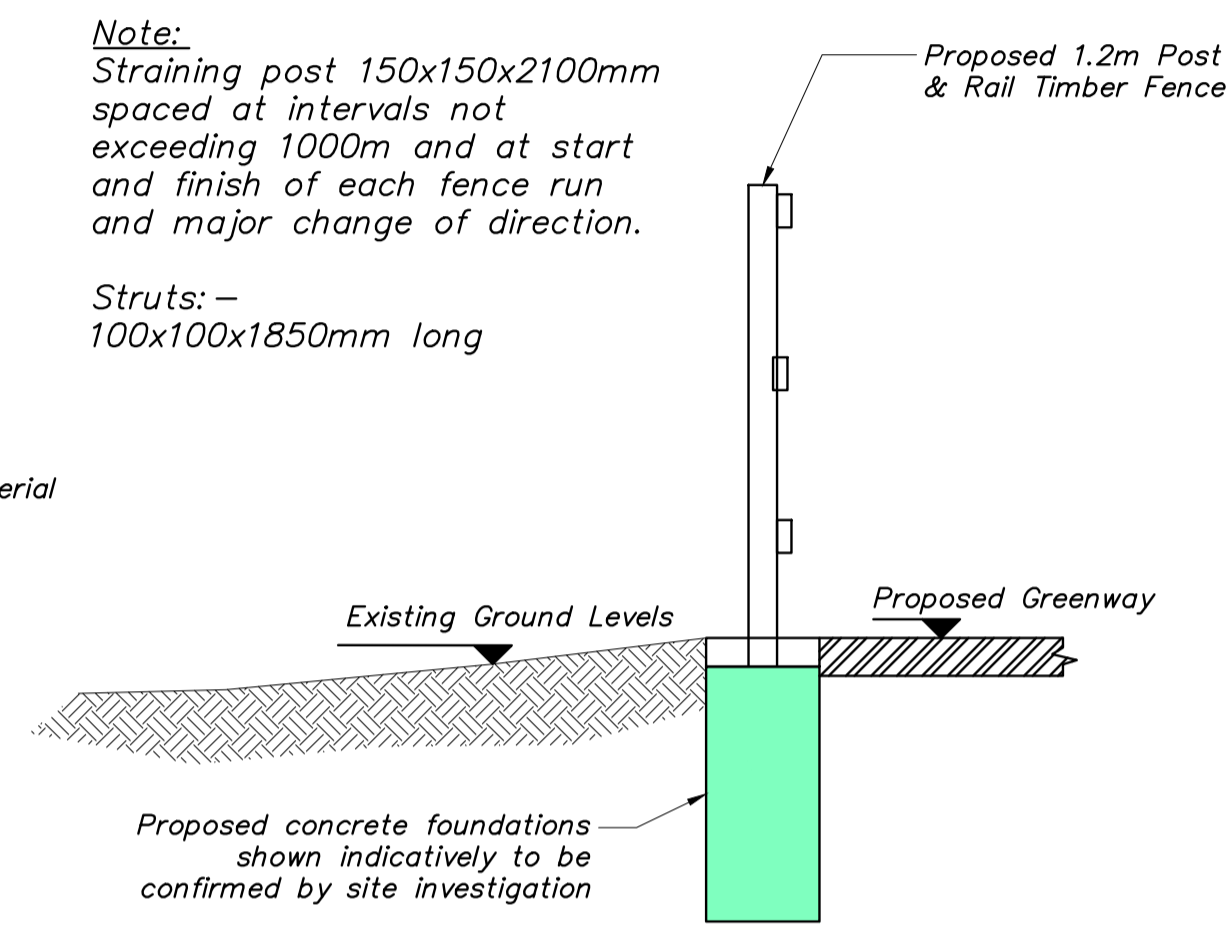
**Rural Style Adult Bicycle Stand**  
Scale 1:20



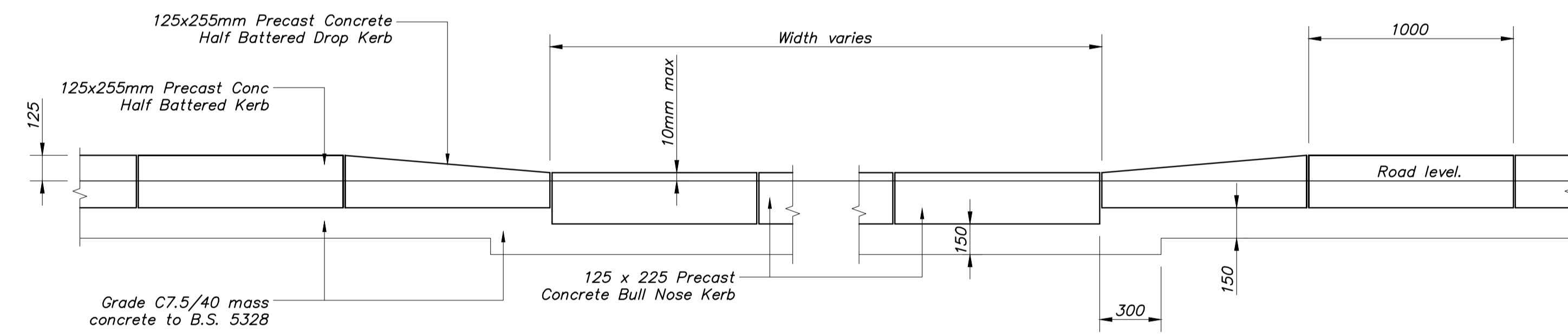
**Rural Style Child Bicycle Stand**  
Scale 1:20



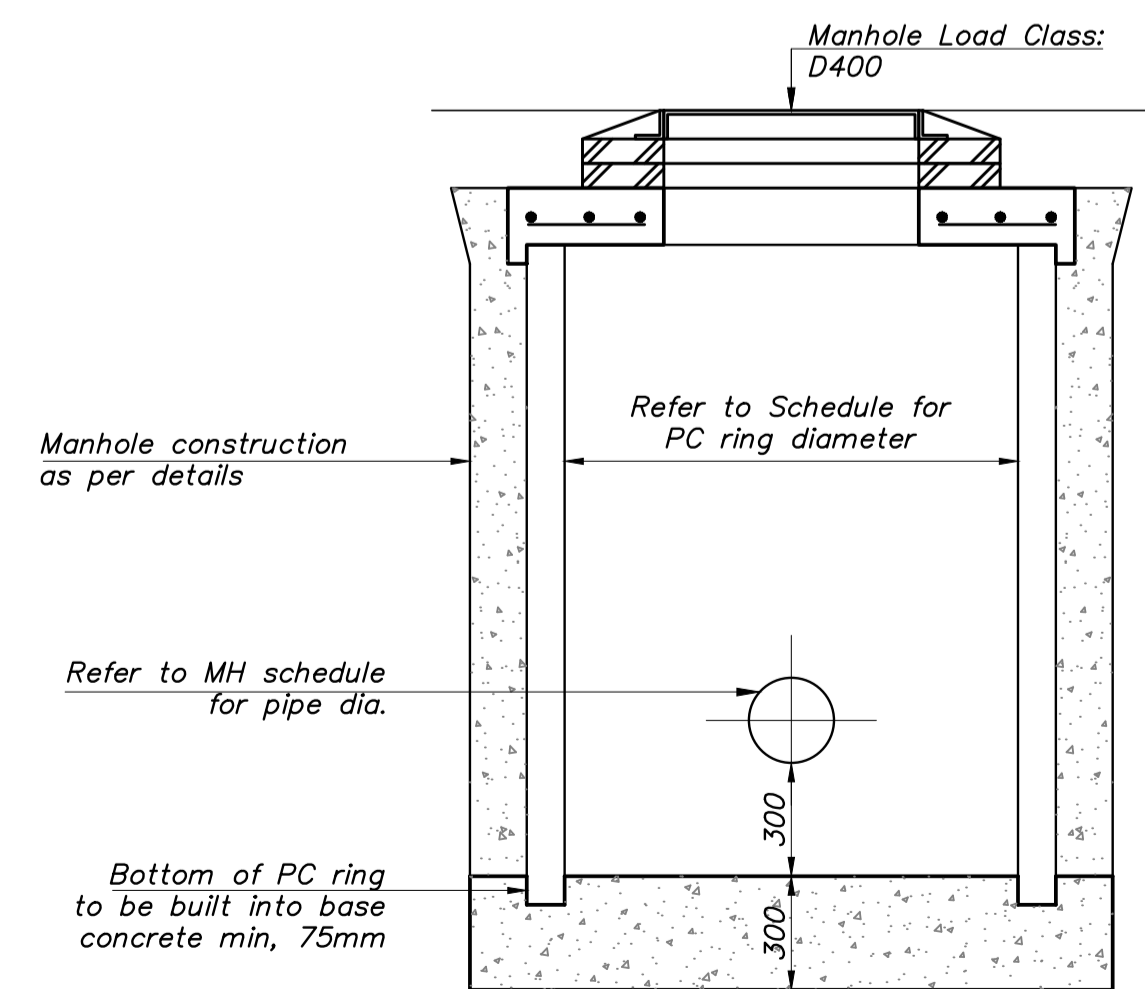
**Typical fence elevation**  
Scale 1:20



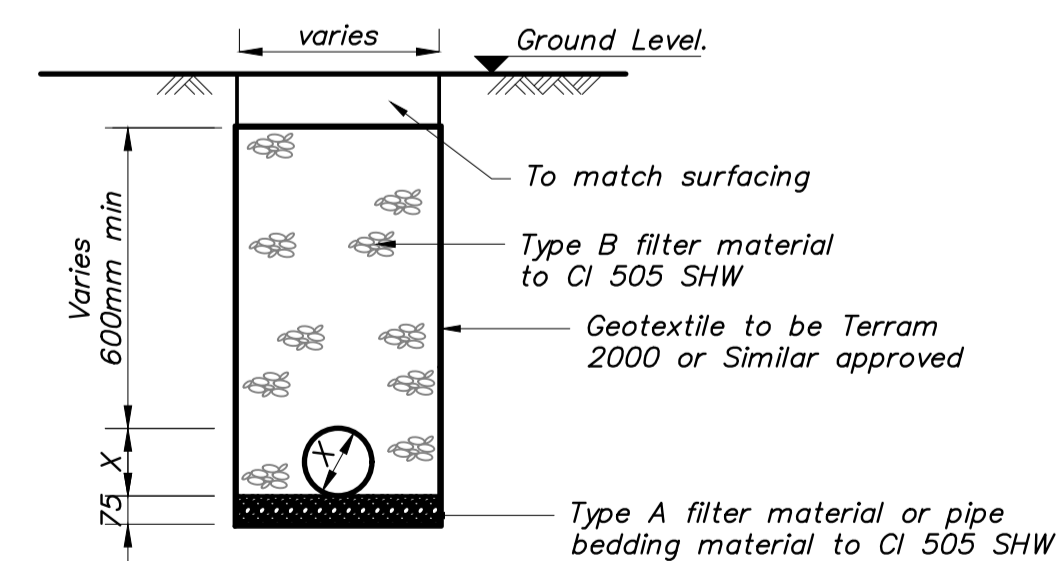
**Typical fence section**  
Scale 1:20



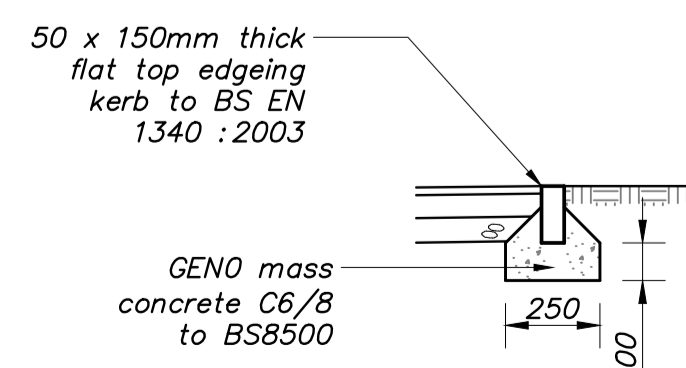
**Lowered Kerb Detail**  
Scale 1:20



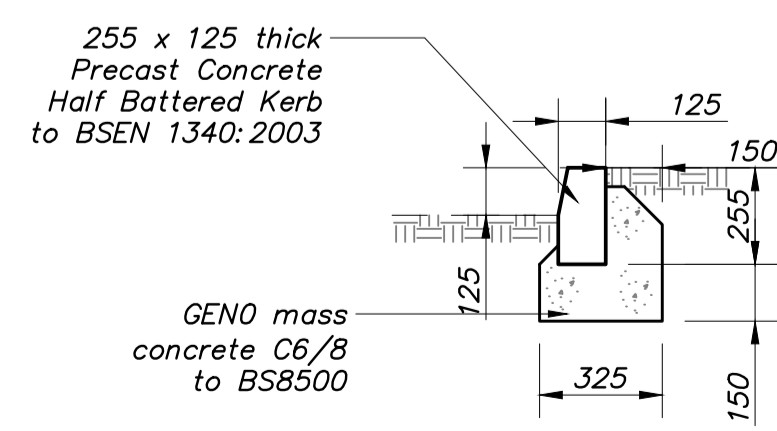
**Typical Silt Pit Detail**  
Scale 1:20



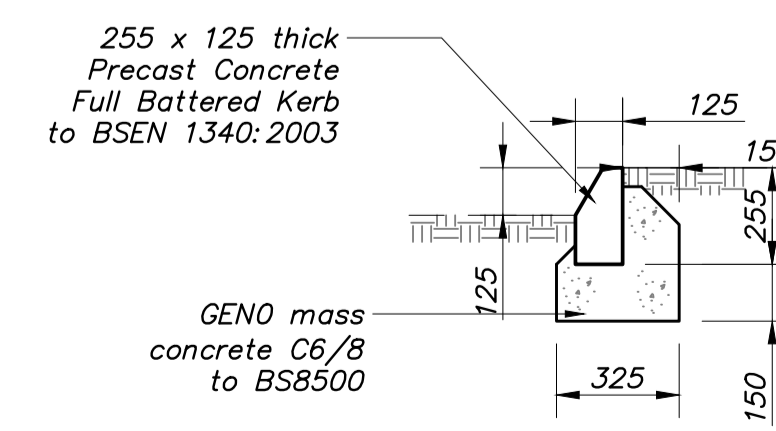
**Bedding for Land Drains.**  
Scale 1:20



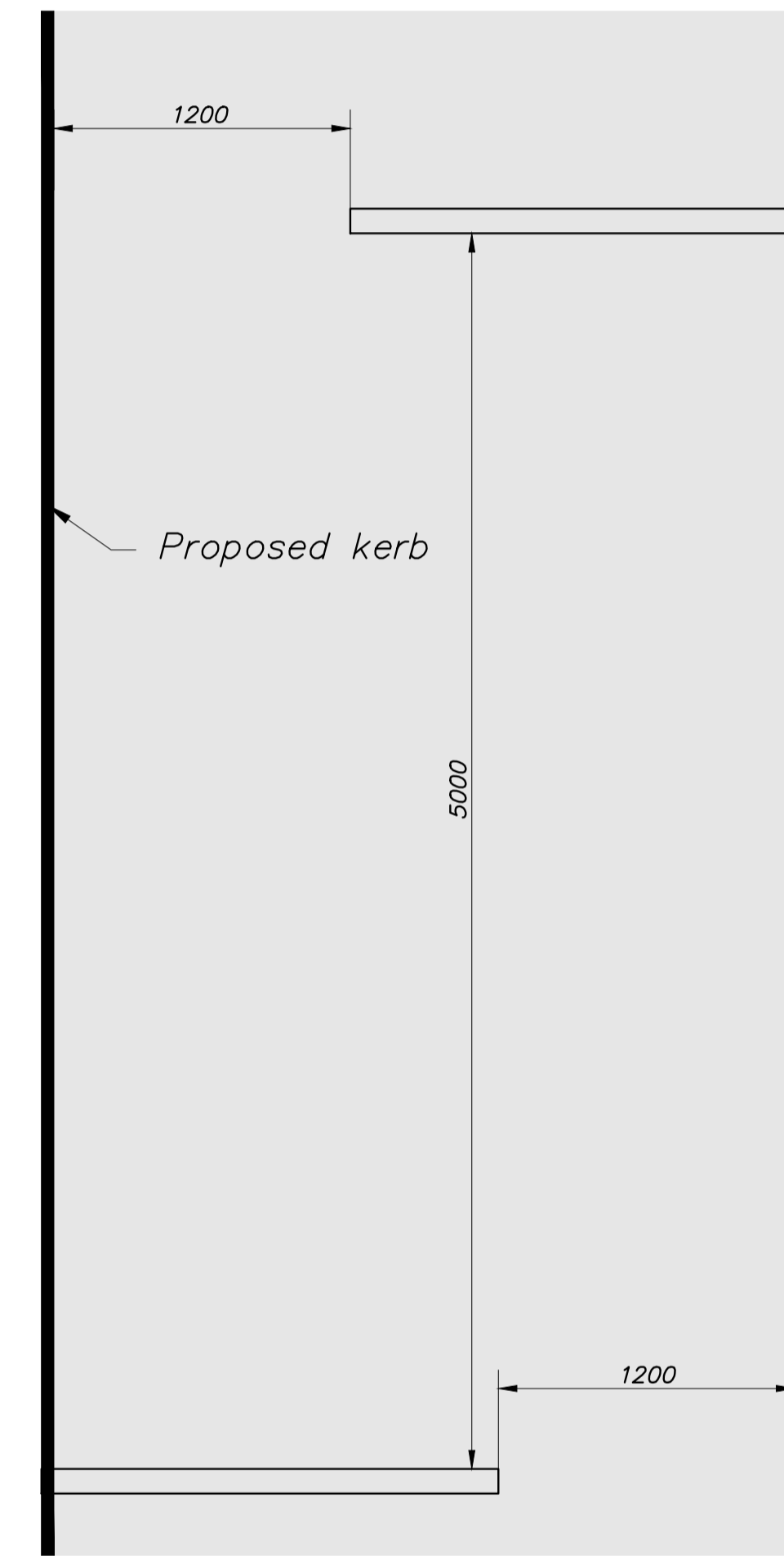
**Edging Kerb**  
Scale 1:20



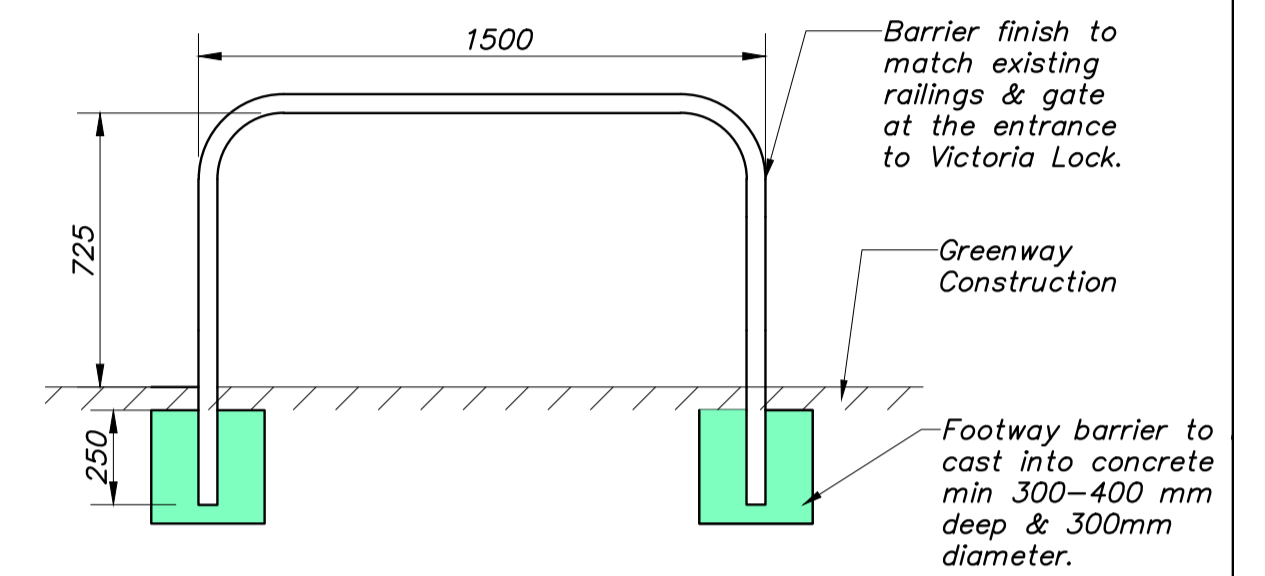
**Half Battered Kerb**  
Scale 1:20



**Full Battered Kerb**  
Scale 1:20



**Footway Staggered Barrier - Plan**  
Scale 1:25



**Footway Staggered Barrier - Elevation**  
Scale 1:20

PL	Date	By	Check	Status	Details	Appr.
PL	03.08.20	NMCA MJM		Status updated to PLANNING		CML
Status	Date	By	Check	Drawing Status	Details	Appr.

**PLANNING DRAWING**

**Doran CONSULTING**  
DELIVERING ENGINEERING EXCELLENCE

Norwood House  
96-102 Great Victoria Street,  
Belfast BT2 7BE  
T 028 90333443  
F 028 90235501  
E mail@doran.co.uk  
W www.doran.co.uk

**Comhairle Ceantair an Iúir, Mhúrn agus an Dúin**  
**Newry, Mourne and Down District Council**

**EAST BORDER REGION**  
**Comhairle Contae Lú**  
**Louth County Council**

Project Title:  
**Carlingford Lough Greenway**  
**Section III: Border to Victoria Lock**

Drawing Title:  
**Construction Details**

Client/Architect:	Louth County Council
Drawn by:	ENJ
Checked by:	NMCA
Approved by:	CML
Date:	July 2020
Scales:	AS SHOWN
Sheet Size:	A1
Project Number:	181146
Orig. Zone. Level. Type. Disc. Number. Revision:	DC SW XX GA C 402 -

A project supported by the European Union's INTERREG VA Programme, and managed by the Special EU Programmes Body

**Interreg** EUROPEAN UNION  
Northern Ireland - Ireland - Scotland  
European Regional Development Fund